

CW407BKS	P/N : CW32865-101	SUBREV : H
DRAWN BY : KAW	DATE : 4.30.13	SHEET 1 OF 4

D

C

B

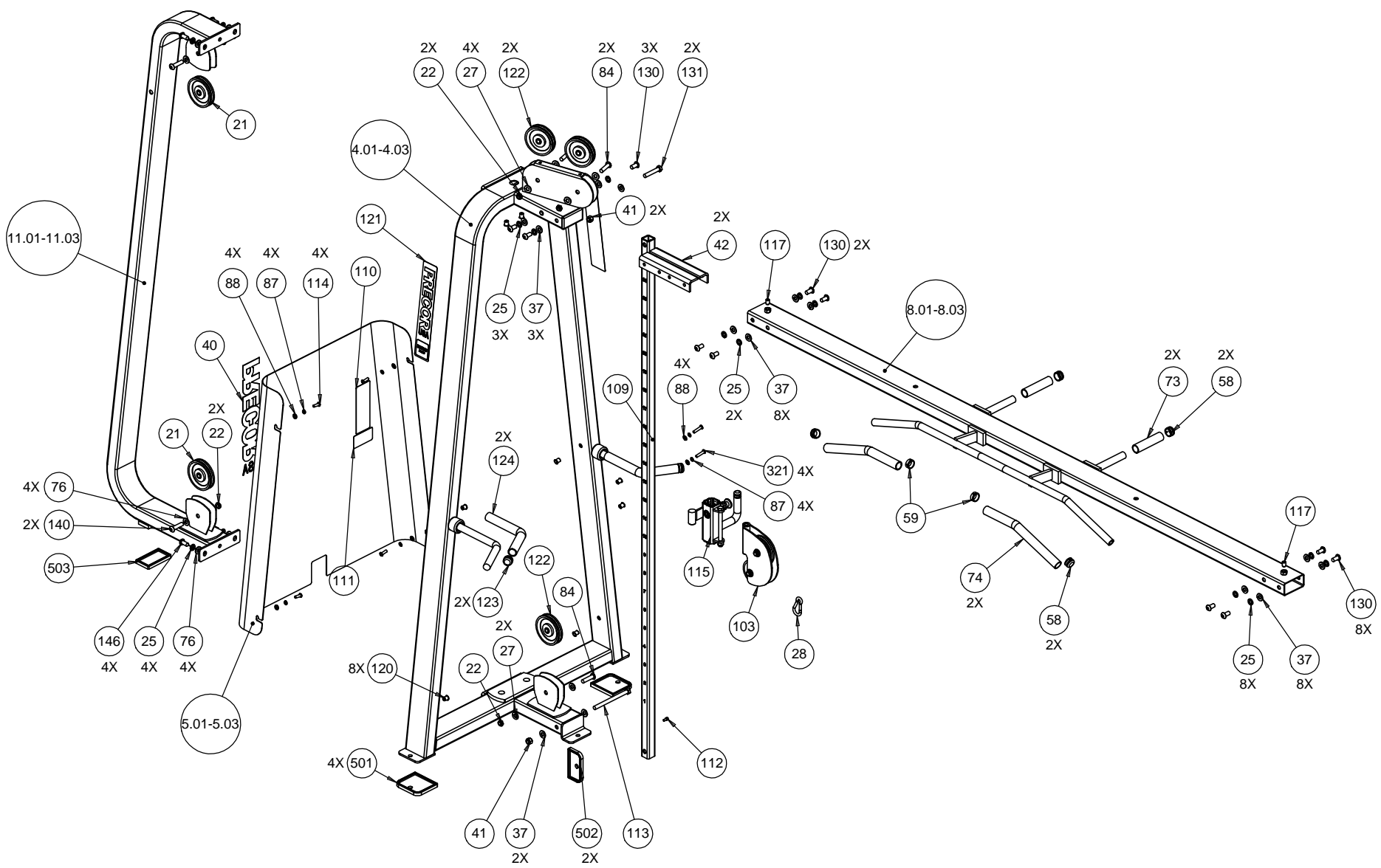
A

4

3

2

1

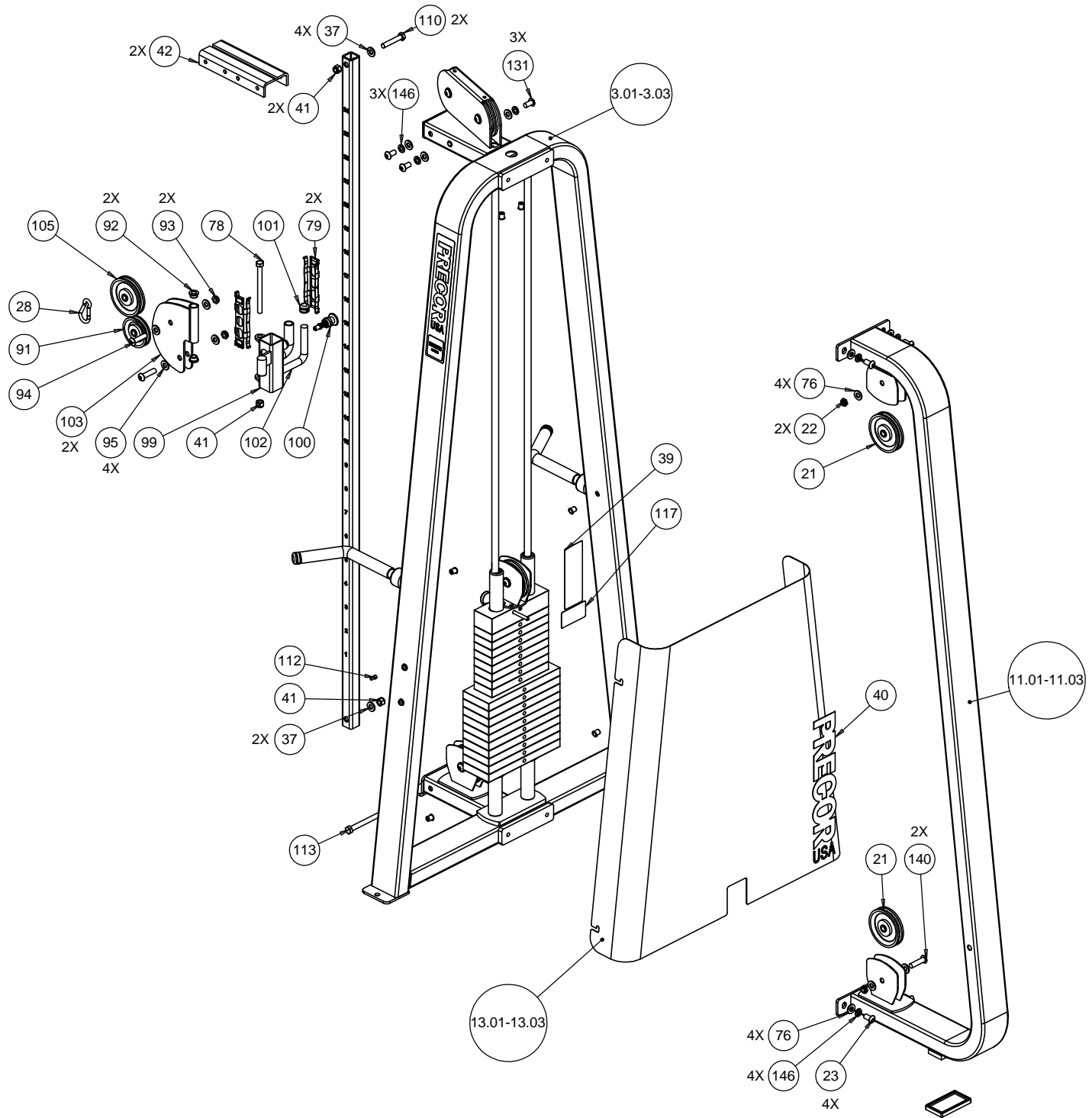


4

3

2

1



D

C

B

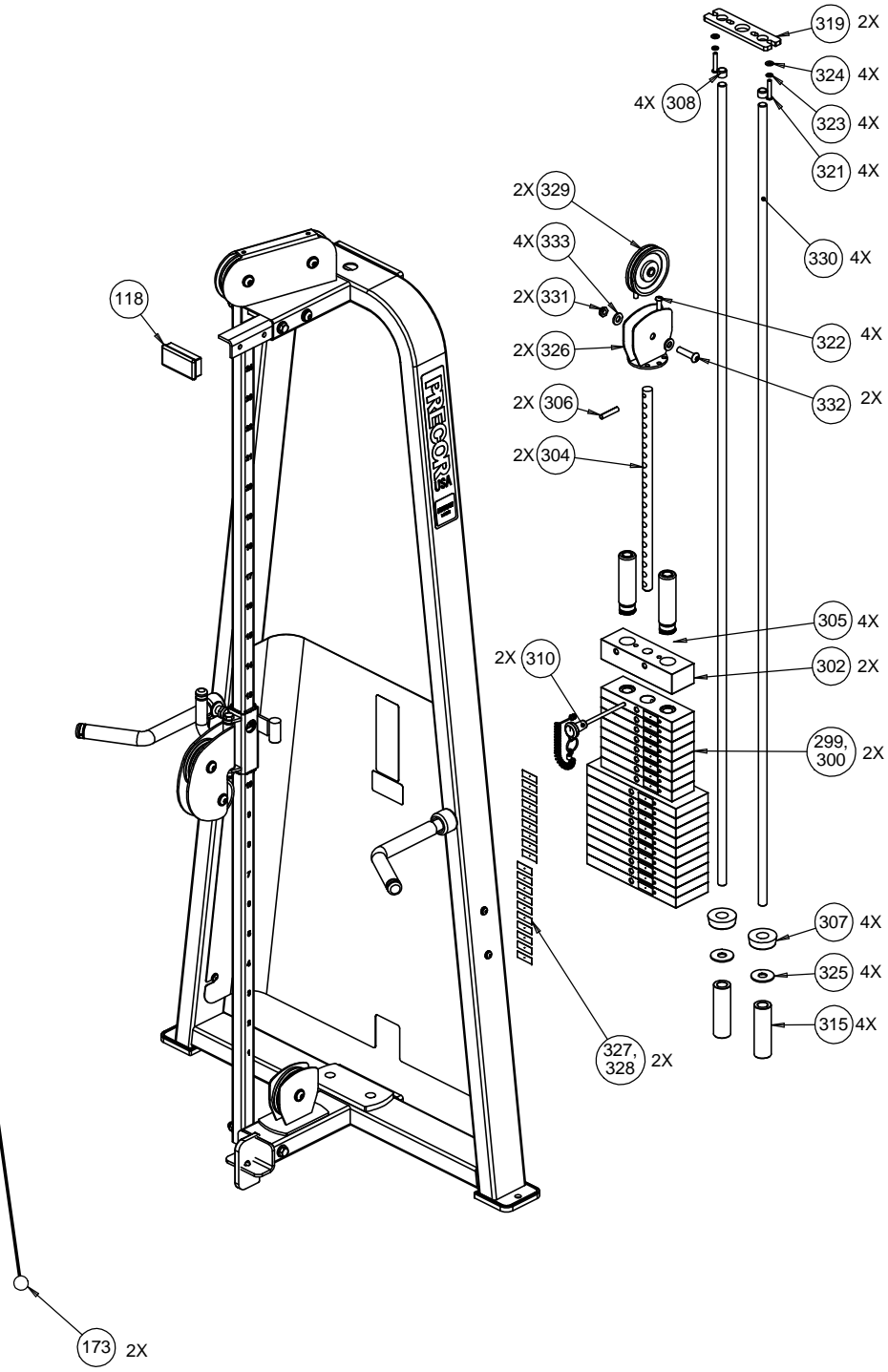
A

4

3

2

1



407BKS Crossover, Adjustable

Part Number	Description	Bubble Number
CWAC1009-101	PULLEY, 4 1/2 DIA X 1/2 ID	21
CWKAYN050-031	LOCKNUT, NYLON INSERT, HALF, UNC, 1	22
CWTAYN050-100	SCREW, BUTTON HEAD, BLK XYLAN, 1/2	23
CWWALYN050-013	WASHER, SPLIT, 1/2 ID, BLK XYLAN	25
CWEANN016-013	SCREW, SET, SCKT, CUP POINT, 8-32 X	36
CWWBKN050-010	WASHER, FLAT, TYPE A, SAE, 1/2 ID X	37
CWKDYN050-059	LOCKNUT, NYLON INSERT, FULL, UNC, 1	41
CWAC218-901	HANDLE END CAP W/SET SCREWS, DIA 1"	58
CWAC219-902	HNDL RETAINER RNG, W/SS,1.040" I.D.	59
CWGR4605-000	GRIP, RUBBER, 1.00" OD HANDLE, 5.00	73
CWWBKN050-010	WASHER, FLAT, TYPE A, SAE, 1/2 ID X	76
CWHCCN050-600	SCREW, HEX HEAD, ZINC, 1/2-13 X 6	78
CW33626-901	GUIDE, THIN, TELESCOPING TUBE	79
CWKAYN050-031	LOCKNUT, NYLON INSERT, HALF, UNC, 1	83
CWTAYN050-200	SCREW, BUTTON HEAD, BLK XYLAN, 1/2	84
CWWALYN031-008	WASHER, SPLIT, 5/16 ID, BL	87
CWWBKN031-007	WASHER, FLAT, TYPE A, SAE, 5/16 ID	88
CWWBKN050-010	WASHER, FLAT, TYPE A, SAE, 1/2 ID X	89
CWAC1009-101	PULLEY, 4 1/2 DIA X 1/2 ID	91
CW10433-108	BUSHING,FLNGD,.75ODX.5IDX.5,IGUS R	92
CWKAYN050-031	LOCKNUT, NYLON INSERT, HALF, UNC, 1	93
CWTAYN050-200	SCREW, BUTTON HEAD, BLK XYLAN, 1/2	94
CWWBKN050-010	WASHER, FLAT, TYPE A, SAE, 1/2 ID X	95
CW30165-752	ASSY, POP PIN, 0.450 DIA NOSE, BLU	100
CWAC220-901	HANDLE END CAP W/SET SCREWS, DIA 3/	101
CWGR4806-000	GRIP, RUBBER, .75" OD HANDLE, 6.00"	102
CW30497-721	WELDMENT, W/2 PULLEY WHEELS, WRKL B	103
CWAC1008-101	PULLEY, 3 1/2 DIA. X 1/2 ID	105
CWPF4020-713	TUBE,STEEL,HRPO, 1 1/2 X 1 1/2 X 3/	109
CWCAYN025-050	SCREW, SOCKET HEAD, BLK XYLAN, 1/4	112
CWHCYN050-650	BOLT,HH#5,1/2-13X6.50,BLACK XYLAN	113
CW35150-101	ASSY, D- HANDLE	114
CWTAYN031-100	SCREW, BUTTON HEAD, BLK XYLAN, 5/16	114
CWAC4019-101	ACCESSORY, HANDLE , SINGLE D, SOLID	115
CWEANN050-075	SCREW, SET, SCKT, CUP POINT, 1/2-13	117
CW12537-109	NUT,INSERT,THIN-NUT,LARGE FLANGE	120
CW31756-101	LABEL, PRECOR USA ICARIAN LINE	121
CWAC1009-101	PULLEY, 4 1/2 DIA X 1/2 ID	122
CWAC218-901	HANDLE END CAP W/SET SCREWS, DIA 1"	123
CWGR4612-000	GRIP, RUBBER, 1.00" OD HANDLE, 12.0	124
CWTAYN050-100	SCREW, BUTTON HEAD, BLK XYLAN, 1/2	130
CWHCYN050-275	SCREW, HEX HEAD, BLK XYLAN, 1/2-13	131
CWWALYN050-013	WASHER, SPLIT, 1/2 ID, BLK XYLAN	146
CW12402-101	BUMPER, ID 1.050, BLK RUBBER	307
CW12404-101	CAP, GUIDE ROD,DIA 3/4, BLK	308
CW33870-102	ASSEMBLY, 5" WEIGHT STACK PIN & LEA	310
CW33323-721	STACK RISER, 5 INCH, WRINKLE BLACK	315
CWPF1016-101	UHMWPE, GUIDE ROD CAPTURE PLATE	319

CWTAYN031-150	SCREW, BUTTON HEAD, BLK XYLAN, 5/16	321
CWCAYN038-100	SCREW, SOCKET HEAD, BLK XYLAN, 3/8	322
CWWALYN031-008	WASHER, SPLIT, 5/16 ID, BL	323
CWWABKN031-007	WASHER, FENDER, BLK ZN, 5/16 ID X 1	324
CWWCKN075-015	WASHER, FLAT, TYPE A, WIDE, 3/4 ID	325
CW32651-721	WELDMENT, 4.50" TOP PLATE PULLEY HO	326
CWAC1009-101	PULLEY, 4 1/2 DIA X 1/2 ID	329
CWPF1218-712	GUIDE ROD, DIA 3/4, #8, CHM	330
CWKAYN050-031	LOCKNUT, NYLON INSERT, HALF, UNC, 1	331
CWTAYN050-200	SCREW, BUTTON HEAD, BLK XYLAN, 1/2	332
CWWBKN050-010	WASHER, FLAT, TYPE A, SAE, 1/2 ID X	333